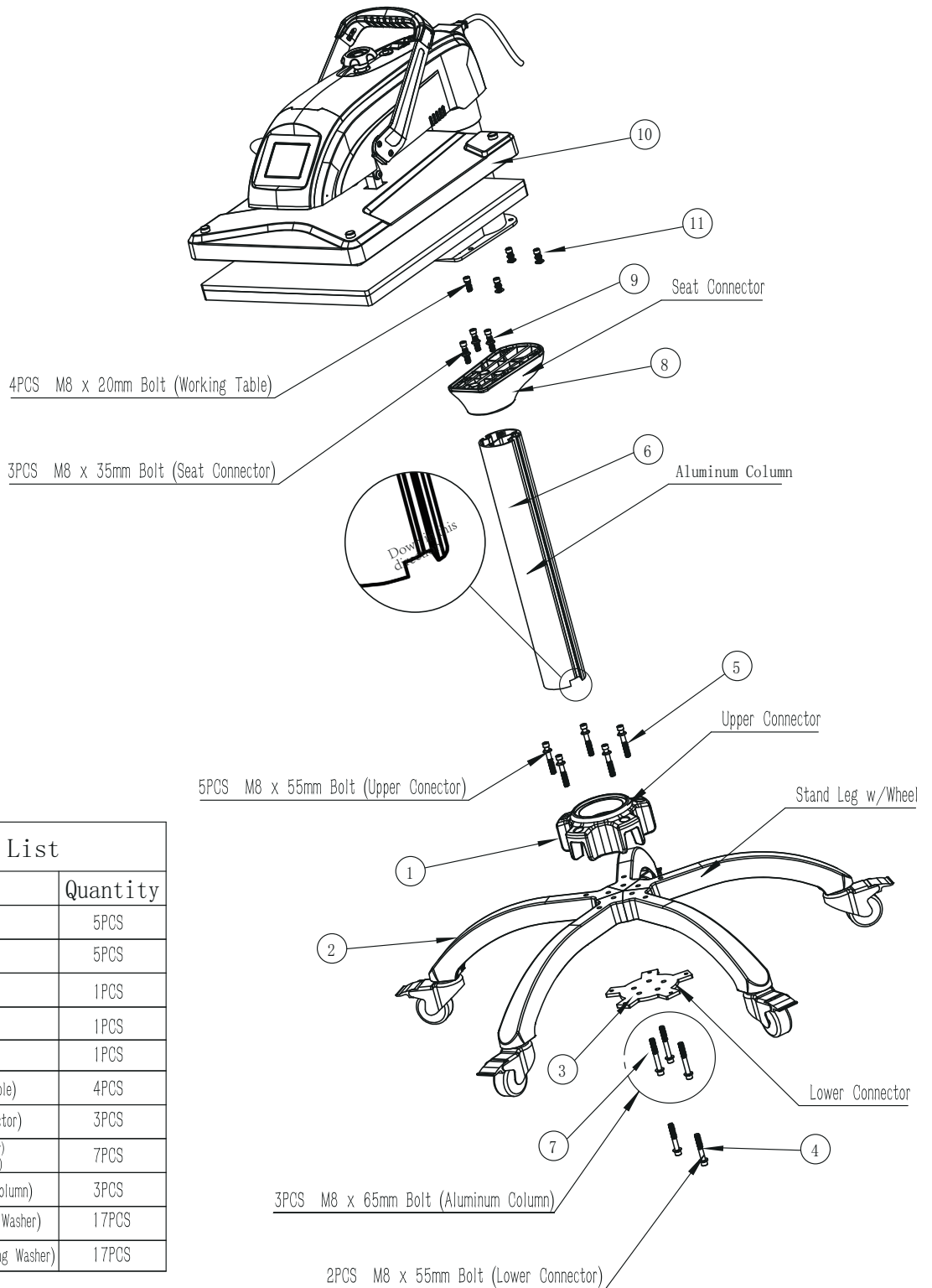


Heat Press Caddie Assembly Instruction Manual



Parts List

Item Name	Quantity
Stand Leg w/Wheel	5PCS
Lower Connector	5PCS
Upper Connector	1PCS
Seat Connector	1PCS
Working Table/Machine Body	1PCS
M8 x 20mm Bolt (Working Table)	4PCS
M8 x 35mm Bolt (Seat Connector)	3PCS
M8 x 55mm Bolt (Lower Connector) (Upper Connector)	7PCS
M8 x 65mm Bolt (Aluminum Column)	3PCS
M8 Flat Washer (Under Spring Washer)	17PCS
M8 Spring Washer (Above Spring Washer)	17PCS